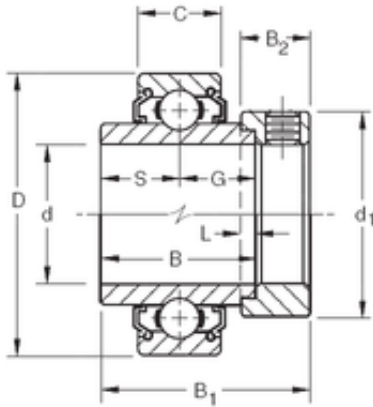




# NACHI BEARINGS OF AMERICA CORP.

## 49,2125 mm x 90 mm x 49,21 mm TIMKEN 1115KLL Insert Bearings Cylindrical OD



Bearing No. 1115KLL

Size	49.2125x90x49.21 mm
Bore Diameter	49,2125 mm
Outer Diameter	90 mm
Width	49,21 mm
d	49,2125 mm
D	90 mm
B	49,21 mm
C	20 mm
d1	69,9 mm
B1	62,71 mm
B2	18,26 mm
G	24,61 mm
L	4,76 mm
S	24,61 mm
Weight	1,021 Kg
Basic dynamic load rating (C)	39 kN

1115KLL Bearing 2D drawings and 3D CAD models