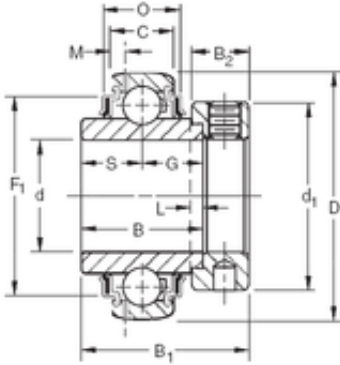




NACHI BEARINGS OF AMERICA CORP.

50,8 mm x 120 mm x 55,56 mm TIMKEN GN200KRRB Insert Bearings Spherical OD



Bearing No. GN200KRRB

Size	50.8x120x55.56 mm
Bore Diameter	50,8 mm
Outer Diameter	120 mm
Width	55,56 mm
d	50,8 mm
D	120 mm
B	55,56 mm
C	31 mm
P	37,47 mm
O	101,78 mm
d1	82,6 mm
B1	5,49 mm
B2	22,2 mm
G	27,8 mm
L	4,8 mm
S	27,8 mm
F1	73 mm
Weight	2,132 Kg
Basic dynamic load rating (C)	80 kN

GN200KRRB Bearing 2D drawings and 3D CAD models